

DIN PN 16

DIMENSION

unit:mm

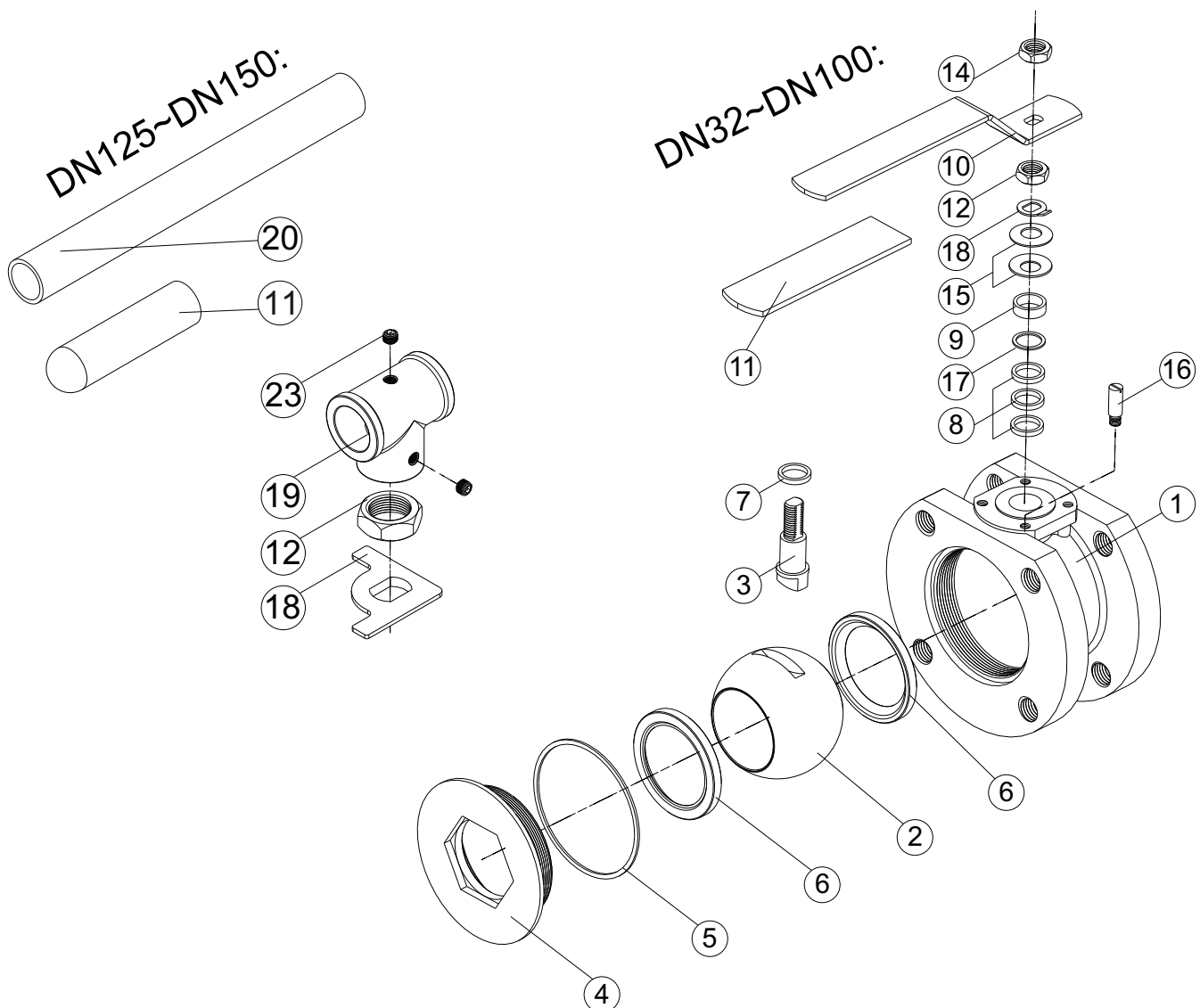
SIZE	PORT	L	E	H	H1	H4	H5	C	ØX	ØY	ØG	ØJ	ØI	T	F	ØK	N	
DN15	1/2"	15	35	116	70	19.2	32	10.5	6.35	25	9.6	95	65	45	7.0	2	36	M12
DN20	3/4"	20	38	116	74	16.5	38	7.5	6.35	25	9.6	105	75	58	7.0	2	36	M12
DN25	1"	25	44	165	75	17.5	42	7.5	6.35	25	9.6	115	85	65	7.5	2	36	M12
DN32	1-1/4"	32	54	165	87	24.0	50	12.0	8.0	32	11.2	140	100	78	17.0	2	42	M16
DN40	1-1/2"	38	62	193	90	24.0	54	12.0	8.0	35	11.2	150	110	88	19.0	2	50	M16
DN50	2"	50	80	193	99	24.0	62	12.0	8.0	35	11.2	165	125	102	19.5	2	50	M16
DN65	2-1/2"	64	101	235	141	25.5	82	14.5	9.5	53	16	185	145	122	17.0	2	70	M16
DN80	3"	76	118	235	150	25.5	91	14.5	9.5	53	16	200	160	138	20.0	3.0	70	M16
DN100	4"	96	150	266	172	49.0	107	24.0	17	55	28	220	180	158	21.0	3.0	102	M16
DN125	5"	118	179	400	205	50.0	117	31.0	17	55	28	250	210	188	22.0	3.0	102	M16
DN150	6"	135	202	600	220	50.0	130	31.0	17	60	28	285	240	212	22.0	3.0	125	M20

ANSI CLASS 150

DIMENSION

unit:mm

SIZE	DN	ISO-5211	L	E	H	H1	H4	H5	C	ØY	ØG	ØJ	ØI	T	F	ØK	ØN
1/2"	15	F03	35	116	70	19.2	32	10.5	6.35	9.6	88.9	60.5	35.1	7.0	1.6	36	1/2"
3/4"	20	F03	38	116	74	16.5	38	7.5	6.35	9.6	98.6	69.9	42.9	7.0	1.6	36	1/2"
1"	25	F03	44	165	75	17.5	42	7.5	6.35	9.6	108.0	79.2	50.8	7.5	1.6	36	1/2"
1-1/4"	32	F04	54	165	87	24.0	50	12.0	8.0	11.2	117.3	88.9	64.0	15.9	1.6	42	5/8"
1-1/2"	40	F05	62	193	90	24.0	54	12.0	8.0	11.2	127.0	98.6	73.2	17.5	1.6	50	5/8"
2"	50	F05	80	193	99	24.0	62	12.0	8.0	11.2	152.4	120.7	91.9	19.1	1.6	50	5/8"
2-1/2"	65	F07	101	235	141	25.5	82	14.5	9.5	16.0	177.8	139.7	104.6	22.3	1.6	70	5/8"
3"	80	F07	118	235	150	25.5	91	14.5	9.5	28.0	190.5	152.4	127.0	23.9	1.6	70	5/8"
4"	100	F10	150	266	172	49.0	107	24.0	17.0	28.0	228.6	190.5	157.2	23.9	1.6	102	5/8"



MATERIAL LIST

NO.	部件名称	PART NAME	材料	PN16 MATERIAL	CLASS 150# MATERIAL
1	本体	BODY	1.4408 / EN 1503-1	1.0619 / EN 1503-1	CF8M,CF8(1.4408)
2	钢球	BALL	CF8M	CF8	CF8M
3	中轴	STEM	SS316	SS304	AISI 316
4	侧盖	INSERT CAP	1.4408 / EN 1503-1	1.0619 / EN 1503-1	CF8M,CF8(1.4408)
5	大薄片	BODY SEAL	PTFE.		PTFE.
6	球垫	SEAT	RTFE.		RTFE.
7	小薄片	THRUST WASHER	PTFE.		PTFE.
8	中口	STEM PACKING	PTFE.		PTFE.
9	铁圈	GLAND	SS304		AISI 304
10	把手	HANDEL	SS304		AISI 304
11	胶套	HANDEL COVER	PLASTIC		PLASTIC
12	下螺帽	STEM NUT	SS304		AISI 304
14	上螺帽	HANDEL NUT	SS304		AISI 304
15	盘型华司	BELLEVILLE WASHER	SS301		AISI 301
16	档柱	STOP PIN	SS304		AISI 304
17	胶套	HANDLE SLEEVE	PLATIC		PLATIC
18	档片	STOP BOLT	SS304		AISI 304
19	把手接头	HANDLE ADAPTER	CF8		CF8
20	圆管板杆	HANDLE	STEEL		STEEL
21	抗磨片	PACKING FOLLWER	PTFE.+25%G.F.		PTFE.+25%G.F.
22	防松华司	TAB WASHER	SS304		AISI 304
23	螺丝	SET BOLT	SS304		AISI 304